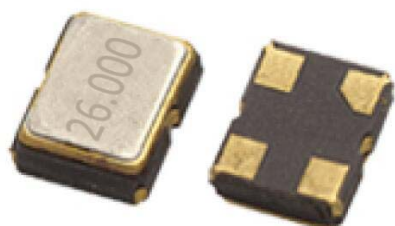


Crystal Oscillators

XO2025

Description:



- Stability up to $\pm 10 \times 10^{-6}$
- Tri-State Enable/Disable
- TTL/HCMOS Compatible
- Ultra-Miniature Package
- Tape and Reel
- SMT Applications
- PC's, Laptop, Palmtop Computers
- Portable Equipments
- PCMCIA Cards, Disc Drives

Performance Characteristics

Parameter		Condition	XO2025		
Frequency Range	F_0		32.768KHz~200.000MHz		
Frequency Stability		All Condition	See Next Table		
Operating Temperature Range	T_{OPR}		See Next Table		
Supply Voltage (V)	V_{DD}		+3.3	+2.5	+1.8
Supply Current (mA)	I_{DD}	Max	15	10	7
					—
Output Load			CMOS 15pF		
Stand-by Function (Tri-state)			N: Fixed-Frequency without Tri-State Y: Fixed-Frequency with Tri-State		
Output Duty		50% Vcc Level	45%~55%		
Rise Time	T_r		3nS Max		
		10% V_{DD} ~90% V_{DD}			
Fall Time	T_f		3nS Max		
		90% V_{DD} ~10% V_{DD}			
Output Level	"0"Level	V_{OL}	10% V_{DD}		
	"1"Level	V_{OH}	90% V_{DD}		
Start-Up Time	T_s		2mS Max		
Aging (First Year)	F_a	25°C±3°C	$\pm 3 \times 10^{-6}$		
Storage Temperature Range	T_{STG}		-55°C~+125°C		
Package			SMD2.5 x 2.0 x 0.8		

Frequency Stability Over Temperature Range

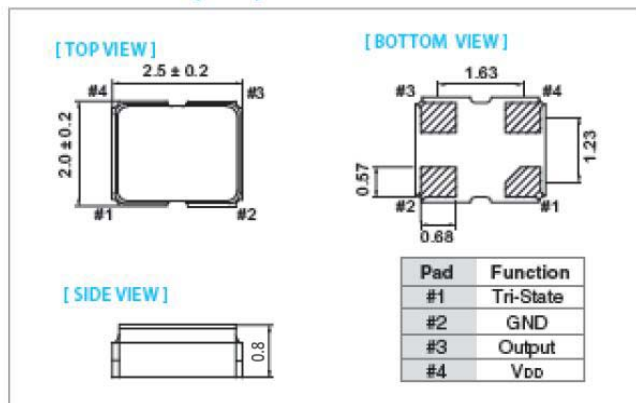
Temperature Range	Frequency Stability			
	O: $\pm 10 \times 10^{-6}$	R: $\pm 25 \times 10^{-6}$	T: $\pm 50 \times 10^{-6}$	U: $\pm 100 \times 10^{-6}$
A: 0°C~+50°C	●	●	●	●
B: -10°C~+60°C	●	●	●	●
C: -20°C~+70°C	●	●	●	●
G: -40°C~+85°C		●	●	●

Crystal Oscillators

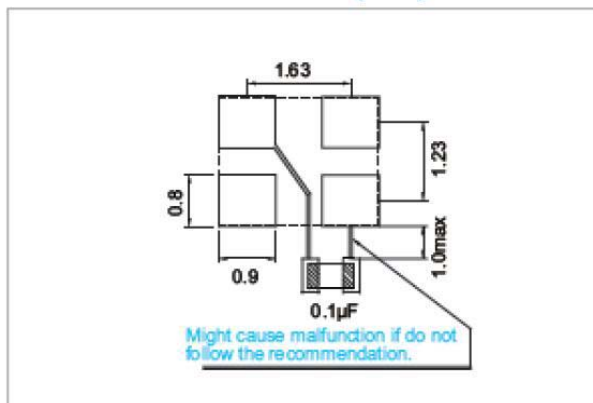
XO2025

Outline Drawing (mm)

DIMENSION (mm)



SOLDER PAD LAYOUT (mm)



Ordering Information

