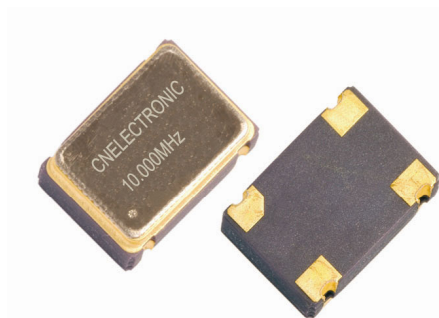


Crystal Oscillators

XO75



Description:

- Stability up to $\pm 10 \times 10^{-6}$
- Tri-State Enable/Disable
- TTL/HCMOS Compatible
- Miniature Package
- Tape and Reel
- SMT Applications
- PC's, Laptop, Palmtop Computers
- Portable Equipments
- PCMCIA Cards, Disc Drives

Performance Characteristics

Parameter		Condition	XO75		
Frequency Range	F_0		1.500MHz~150.000MHz		
Frequency Stability		All Condition	See Next Table		
Operating Temperature Range	T_{OPR}		See Next Table		
Supply Voltage (V)	V_{DD}		+5.0	+3.3	+1.8
Supply Current (mA)	I_{DD}	$1.5M \leq F_0 < 40M$	25	15	10
		$40M \leq F_0 < 70M$	40	20	15
		$70M \leq F_0 < 110M$	50	30	—
		$110M \leq F_0 < 150M$	—	30	—
Output Load		TTL 15pF TTL 50pF CMOS 15pF CMOS 50pF	CMOS 15pF CMOS 50pF	CMOS 15pF CMOS 50pF	
Stand-by Function (Tri-state)			N: Fixed-Frequency without Tri-State Y: Fixed-Frequency with Tri-State		
Output Duty		$1.4V$ or $1/2V_{DD}$	45%~55%		
Rise Time	T_r	$0.4V \sim 2.4V$	10nS Max		
		$10\%V_{DD} \sim 90\%V_{DD}$			
Fall Time	T_f	$2.4V \sim 0.4V$	10nS Max		
		$90\%V_{DD} \sim 10\%V_{DD}$			
Output Level	"0"Level	V_{OL}	0.4V Max or $10\%V_{DD}$		
	"1"Level	V_{OH}	2.4V Min or $90\%V_{DD}$		
Start-Up Time	T_s		10mS Max		
Aging (First Year)	F_a	$25^\circ C \pm 3^\circ C$	$\pm 5 \times 10^{-6}$		
Storage Temperature Range	T_{STG}		$-55^\circ C \sim +125^\circ C$		
Package			SMD7.0×5.0×1.70 mm		

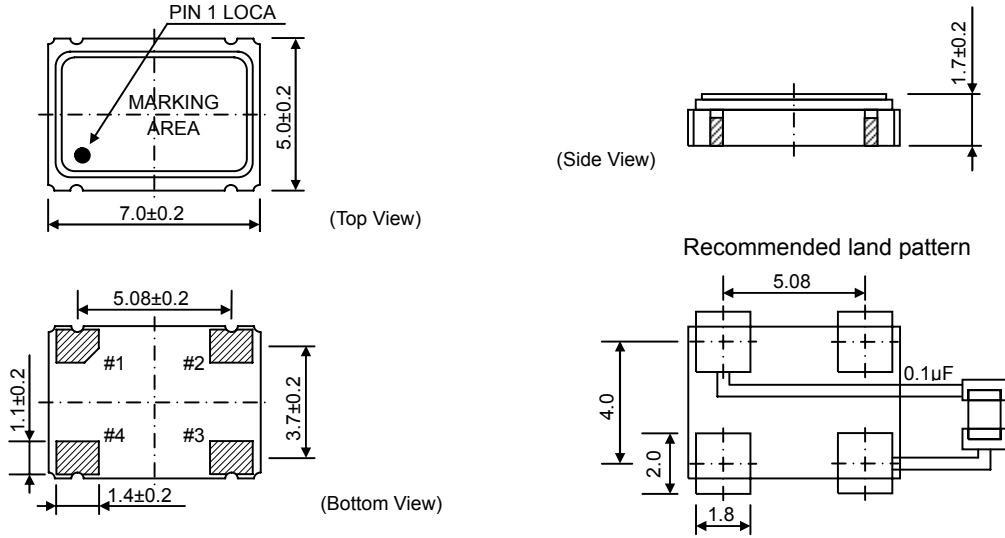
Frequency Stability Over Temperature Range

Temperature Range	Frequency Stability			
	O: $\pm 10 \times 10^{-6}$	R: $\pm 25 \times 10^{-6}$	T: $\pm 50 \times 10^{-6}$	U: $\pm 100 \times 10^{-6}$
A: $0^\circ C \sim +50^\circ C$	●	●	●	●
B: $-10^\circ C \sim +60^\circ C$	●	●	●	●
C: $-20^\circ C \sim +70^\circ C$	●	●	●	●
G: $-40^\circ C \sim +85^\circ C$		●	●	●



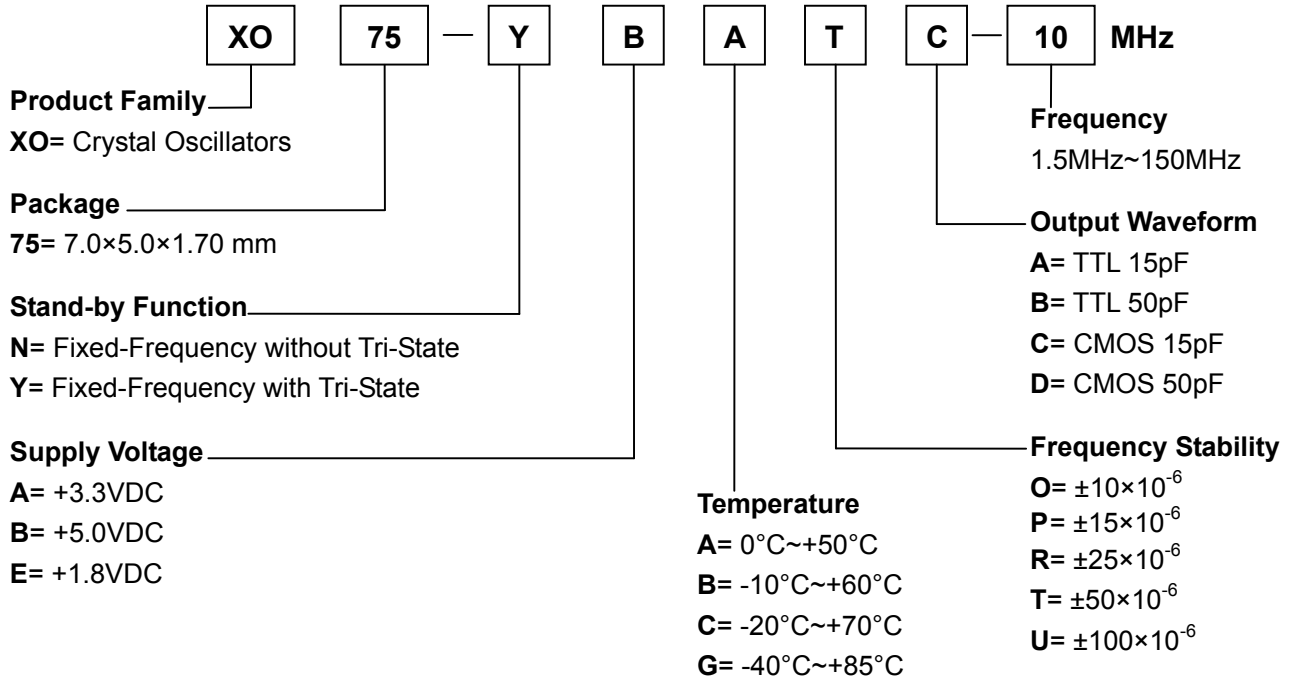
XO75

Outline Drawing (mm)



PAD NO.	CONNECTION
#1	NC/TRI-STATE
#2	GND
#3	OUTPUT
#4	+DC

Ordering Information



Ordering Example

XO75-YBATC-10MHz

Crystal Oscillators / Fixed-Frequency with Tri-State / +5.0VDC / 0°C~+50°C / ±50×10⁻⁶ / CMOS 15pF / 10MHz