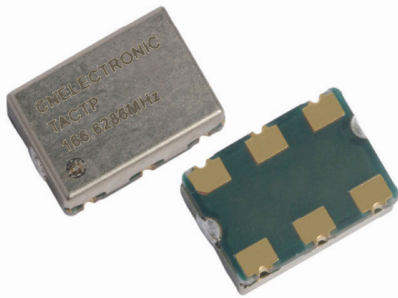


## Voltage Controlled Crystal Oscillators (VCXOs)

## VC75P

**Description:**

- Stability up to  $\pm 25 \times 10^{-6}$
- Control Voltage Range  $\pm 100 \times 10^{-6}$  Max
- PECL Level
- Miniature Package
- Tape and Reel
- SONET
- SDH
- GB Ethernet

**Performance Characteristics**

Parameter		Condition	VC75P
Frequency Range		$F_0$	77.76MHz~212.50MHz
Standard Nominal Frequency (MHz)			155.52 156.25 161.1328 166.6286 167.3316
Frequency Stability		All Condition	See Next Table
Operating Temperature Range		$T_{OPR}$	See Next Table
Linearity			$\pm 10\%$
Supply Voltage		$V_{DD}$	A: +3.3VDC $\pm 10\%$
Load			50 $\Omega$
Supply Current		$I_{DD}$	77.76MHz $\leq F_0 < 212.5$ M 60mA Max
Output Load			P: PECL
Output Duty		At 2.0V	40%~60%
Control Voltage Range			See Ordering Information
Output Level	"0" Level	$V_{OL}$	1.68V Max
	"1" Level	$V_{OH}$	2.275V Min
Start-Up Time		$T_s$	10mS Max
Aging (First Year)		$F_a$	25°C $\pm 3^\circ$ C $\pm 5 \times 10^{-6}$
Storage Temperature Range		$T_{STG}$	-55°C ~ +125°C
Package			SMD7.0x5.20x1.80 mm
Slope			Positive

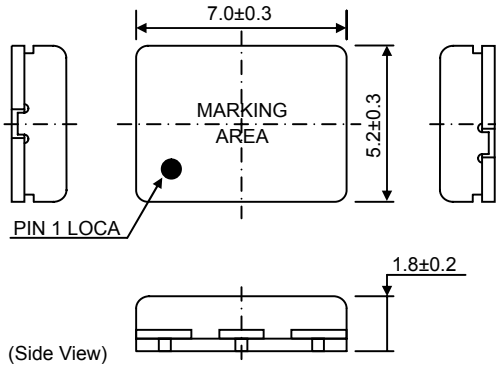
**Frequency Stability Over Temperature Range**

Temperature Range	Frequency Stability		
	R: $\pm 25 \times 10^{-6}$	T: $\pm 50 \times 10^{-6}$	U: $\pm 100 \times 10^{-6}$
A: 0°C ~ +50°C	●	●	●
B: -10°C ~ +60°C	●	●	●
C: -20°C ~ +70°C		●	●
G: -40°C ~ +85°C			●

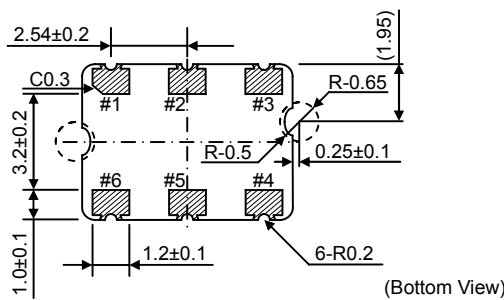
## Voltage Controlled Crystal Oscillators (VCXOs)

### VC75P

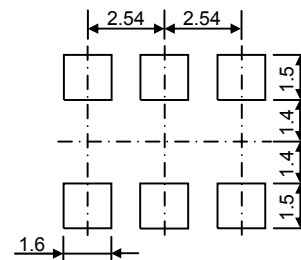
#### Outline Drawing (mm)



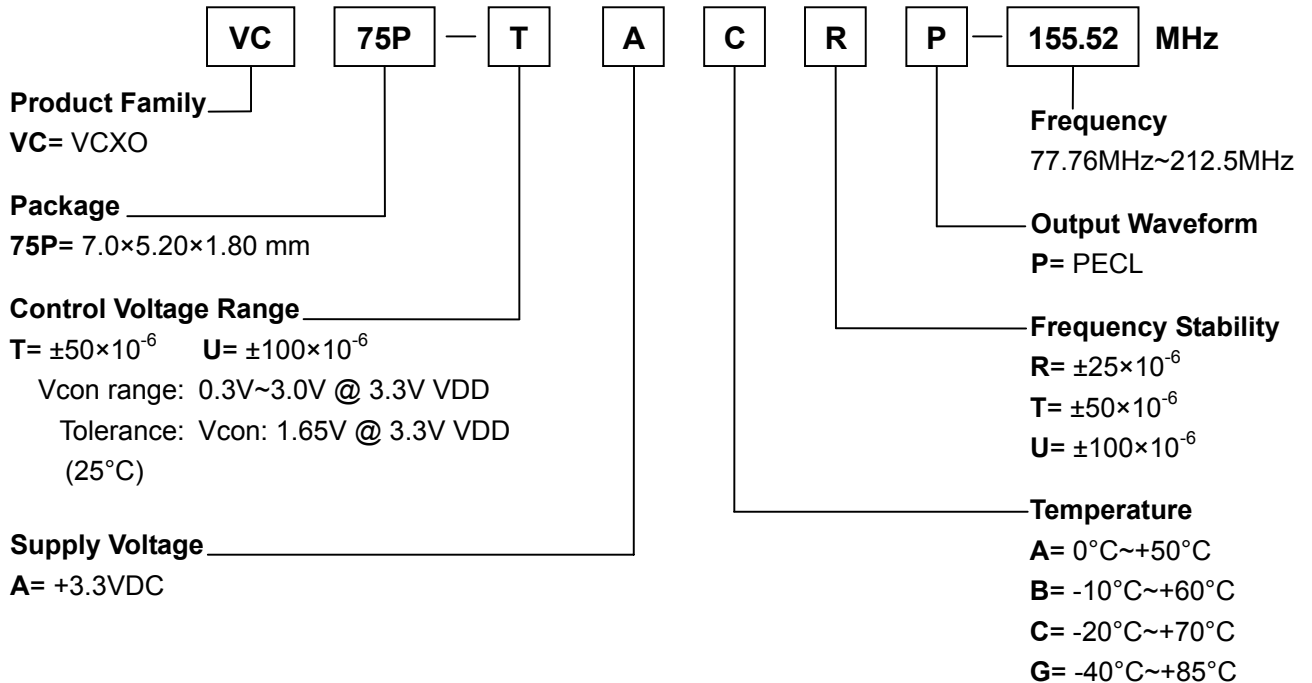
PAD NO.	CONNECTION
#1	VC
#2	NC
#3	GND
#4	OUTPUT
#5	OUTPUT
#6	+DC



Recommended land pattern



#### Ordering Information



#### Ordering Example

##### VC75P-TACRP-155.52MHz

VCXO / Pulling Range:  $\pm 50 \times 10^{-6}$  / +3.3VDC / -20°C~+70°C / Frequency Stability:  $\pm 25 \times 10^{-6}$  / PECL / 155.52MHz