

TECHNICAL CHARACTERISTICS(455KHz Series)

Center Part Number	Insertion Frequency (KHz)	Pass Band Loss(db)max	6db Ripple (db)max	50db Bandwidth (KHz)min 6db	Stop Band Att.Bandwidth (KHz)max 5db	Input/Output ± 100 KHz (db)min	Impedance (Ω)
LT455BU	455 \pm 2.0	4	2	± 15	± 30	40	1500
LT455CU	455 \pm 2.0	4	2	± 12.5	± 24	40	1500
LT455DU	455 \pm 1.5	4	2	± 10	± 20	40	1500
LT455EU	455 \pm 1.5	6	2	± 7.5	± 15	40	1500
LT455FU	455 \pm 1.5	6	2	± 6	± 12.5	40	2000
LT455GU	455 \pm 1.5	6	2	± 4.5	± 10	40	2000
LT455HU	455 \pm 1.0	6	2	± 3	± 9	40	2000
LT455 I U	455 \pm 1.0	6	2	± 2	± 7.5	40	2000
LT455HTU	455 \pm 1.0	6	2	± 3	± 9	60	2000

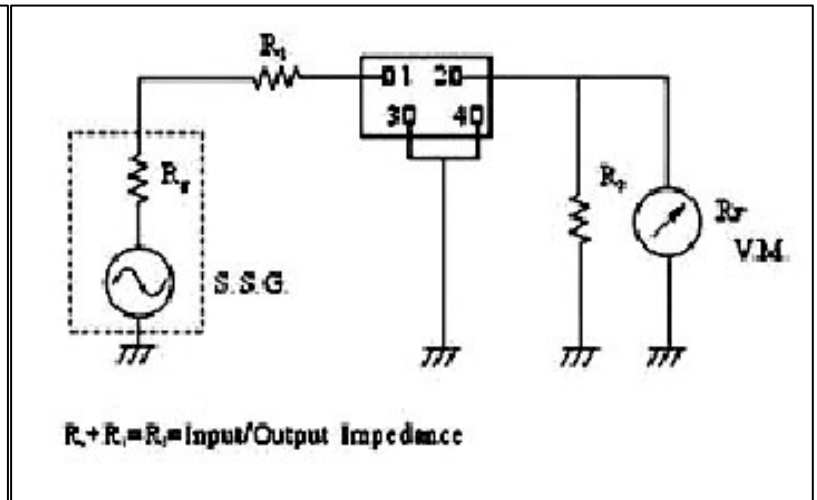
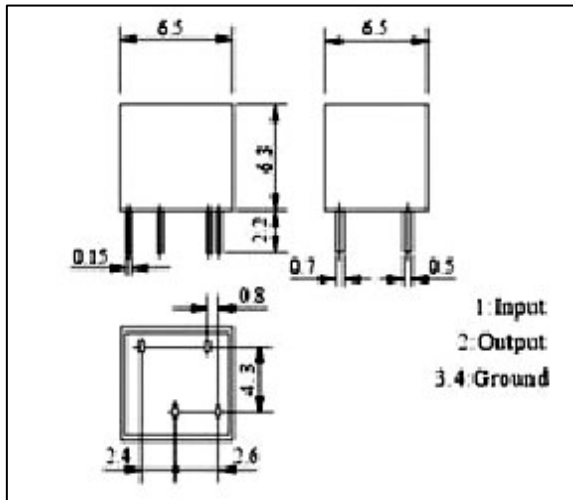
TECHNICAL CHARACTERISTICS (450KHz Series)

Center Part Number	Insertion Frequency (KHz)	Pass Band Loss(db)max	6db Ripple (db)max	50db Bandwidth (KHz)min 6db	Stop Band Att.Bandwidth (KHz)max 5db	Input/Output ± 100 KHz (db)min	Impedance (Ω)
LT450BU	450 \pm 2.0	4	2	± 15	± 30	40	1500
LT450CU	450 \pm 2.0	4	2	± 12.5	± 24	40	1500
LT450DU	450 \pm 1.5	4	2	± 10	± 20	40	1500
LT450EU	450 \pm 1.5	6	2	± 7.5	± 15	40	1500
LT450FU	450 \pm 1.5	6	2	± 6	± 12.5	40	2000
LT450GU	450 \pm 1.5	6	2	± 4.5	± 10	40	2000
LT450HU	450 \pm 1.0	6	2	± 3	± 9	40	2000
LT450 I U	450 \pm 1.0	6	2	± 2	± 7.5	40	2000
LT450HTU	450 \pm 1.0	6	2	± 3	± 9	60	2000



DIMENSION (mm)

TEST CIRCUIT



CHARACTERISTICS

