**LT SERIES FOR TV/VCR STAGE,4.5~6.5MHz TECHNICAL CHARACTERISTICS**

Part Number	3db Band Width(KHz) 3dB	20db Band Width(KHz) 20dB	Insertion Loss(dB)	Spurios Affenuation(9-12MHz)(dB)min	Input-Output Impedance
LT4.5MB	$\geq \pm 60$	≤ 530	≤ 6	$\geq 20(4.5 \pm 0.8\text{MHz})$	1000
LT5.5MB	$\geq \pm 75$	≤ 550	≤ 6	$\geq 25(5.5 \pm 1.0\text{MHz})$	600
LT6.0MB	$\geq \pm 80$	≤ 600	≤ 6	$\geq 25(6.0 \pm 1.0\text{MHz})$	470
LT6.5MB	$\geq \pm 80$	≤ 630	≤ 6	$\geq 25(6.5 \pm 1.0\text{MHz})$	470

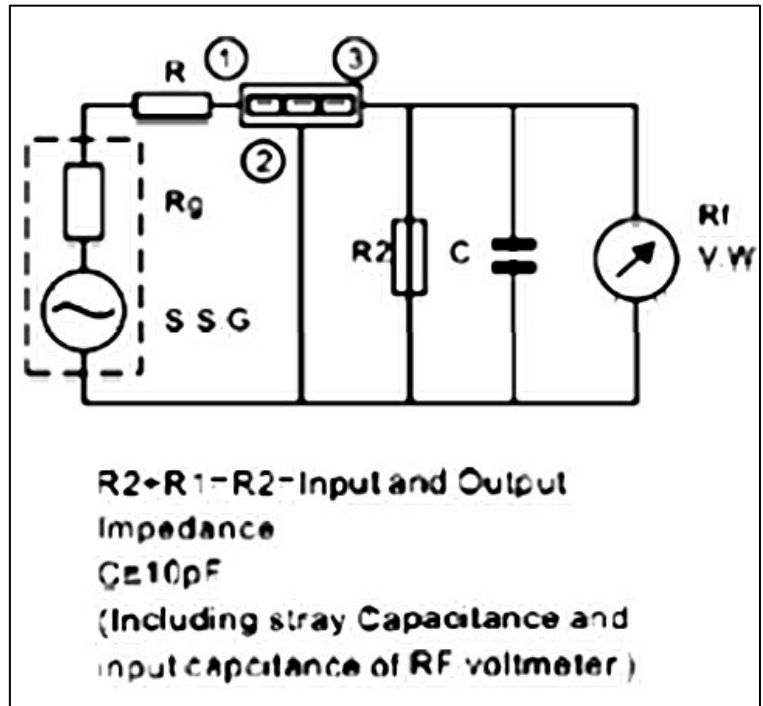
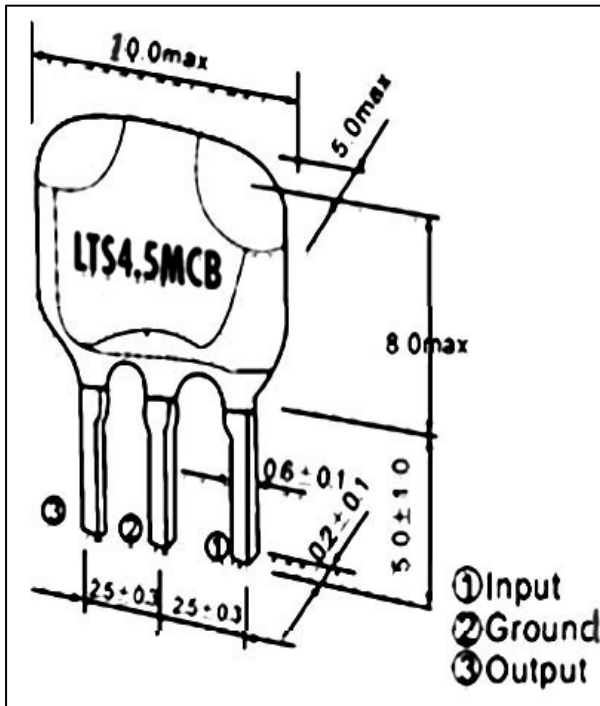
LTS Series for TV/VCR Stage TECHNICAL CHARACTERISTICS

Part Number	3db Band Width(KHz) 3dB	20db Band Width(KHz) 20dB	Insertion Loss(dB)	Spurios Affenuation(9-12MHz)(dB)min	Input-Output Impedance
LTS4.5MSB	$\geq \pm 60$	≤ 600	≤ 6	30(0~4.5MHz)	1000
LTS5.5MSB	$\geq \pm 60$	≤ 600	≤ 6	30(0~5.5MHz)	600
LTS6.5MSB	$\geq \pm 60$	≤ 600	≤ 6	30(0~6.0MHz)	470
LTS5.5MSB	$\geq \pm 75$	≤ 650	≤ 6	30(0~6.5MHz)	470
LTSH4.5MCB	$\geq \pm 70$	≤ 750	≤ 6	≥ 30	
LTSH5.5MCB	$\geq \pm 80$	≤ 750	≤ 6	≥ 30	
LTSH6.0MCB	$\geq \pm 80$	≤ 750	≤ 6	≥ 30	
LTSH6.5MCB	$\geq \pm 80$	≤ 800	≤ 6	≥ 30	



DIMENSION (mm)

TEST CIRCUIT



CHARACTERISTICS

